

ER71

LASER

**DIGITAL WHEEL
BALANCER FOR CARS
AND LIGHT TRUCKS**

ER71 DIGITAL WHEEL BALANCER

for medium to large size garages,
car dealers, tire shops or any
business wanting to be able
to balance all aluminum wheels
with precision, speed and accuracy.



CEMB[®] USA

ER71

LASER

- MULTIFUNCTIONAL DIGITAL PANEL with Direct Weight Placement program and Behind Spoke (Split) mode

CEMB® PATENT

- VDD Virtual Direct Drive Quick measurement system



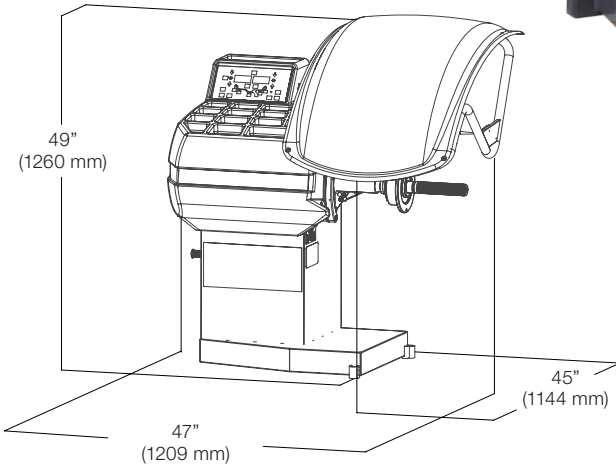
- LASER and LED LIGHT for easy weight positioning inside the rim

- ELECTROMAGNETIC BRAKE holds the wheel in position

- Made in ITALY

- WIDTH SONAR 3D for automatic measurement of wheel width (optional)

- NEW AUTOMATIC ARM 2D to measure automatically diameters up to 30"



Power requirements	110 VAC, 50/60 Hz
Balancing speed	100 rpm
Measuring cycle for 15 kg (33 lbs) wheel	4.7 s
Unbalance resolution	< 0.01 oz (<1 g)
Rim width setting range	1.5" - 20" (40 - 510 mm)
Rim diameter setting range	10" - 30" (265 - 765 mm)
Max. tire diameter	40" (1,016 mm)
Max. wheel weight	165 lbs (75 Kg)
Shaft diameter	40 mm
Machine weight	354 lbs (160 Kg)

110 VAC, 50/60 Hz
100 rpm
4.7 s
< 0.01 oz (<1 g)
1.5" - 20" (40 - 510 mm)
10" - 30" (265 - 765 mm)
40" (1,016 mm)
165 lbs (75 Kg)
40 mm
354 lbs (160 Kg)

STANDARD ACCESSORIES

UC20/2 GLM40 41FF83150



MANUAL LOCKING



OPTIONAL ACCESSORIES

RL CUP - 41FF79255
 SR-USA STUD ADAPT. - 41FF56189
 SRU345 STUD ADAPT. - 41FFA6478

2-PIECE TRUCK CONE KIT - 41FF86174
 UNIV. MOTORCYCLE ADAPT. - 41FF87401
 WBL81 WHEEL LIFT - 46FL85170-KIT

CEMB® USA

CEMB® USA - BL Systems Inc.
 2873 Ramsey Road, Gainesville GA 30501 - USA
 Phone +1 (678) 717-1050 - sales@cemb-usa.com
 www.cemb-usa.com

DISTRIBUTED BY

Tel: (562) 400-3133
 email: Brian@AAEquipUSA.com
 www.AAEquipUSA.com