

EZ1



WHEEL BALANCER FOR CARS AND LIGHT TRUCKS

EZ1 WHEEL BALANCER

A simple and extremely compact wheel balancer usable anywhere.
The EZ solution for your business!!

CEMB[®] **USA**

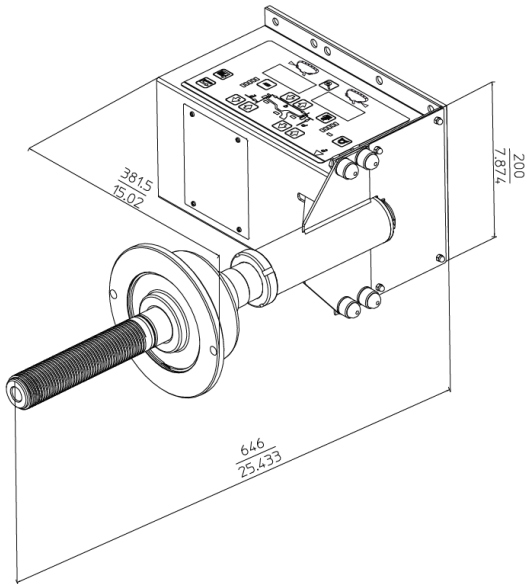


EZ1

- Made in ITALY
- MANUAL DATA ENTRY of distance and diameter
- MULTIFUNCTIONAL DIGITAL PANEL with Behind Spoke (Split) mode



- TIRE CHANGER CLAMP to attach EZ1 to a swing-arm machine with tank up to 7" outside diameter
- DUAL VOLTAGE Power supply 12VDC - 110VAC



Power requirements	12 VDC - 110 VAC, 50/60 Hz
Balancing speed	100 rpm
Measuring cycle for 15 kg (33 lbs) wheel	4.7 s
Unbalance resolution	< 0.01 oz (<1 g)
Rim width setting range	1.5" - 20" (40 - 510 mm)
Rim diameter setting range	10" - 30" (265 - 765 mm)
Max. wheel weight	100 lbs (45 Kg)
Shaft diameter	40 mm
Machine weight	150 lbs (68 Kg)

STANDARD ACCESSORIES

 MANUAL LOCKING



OPTIONAL ACCESSORIES

- RL CUP - 41FF79255
- SR-USA STUD ADAPT. - 41FF56189
- SRU345 STUD ADAPT. - 41FFA6478
- 2-PIECE TRUCK CONE KIT - 41FF86174
- 8.5" SUPER CONE - 40FF43748

For a complete list of accessories and more information visit our website www.cemb-usa.com

CEMB[®] USA

CEMB[®] USA - BL Systems Inc.
2873 Ramsey Road, Gainesville GA 30501 - USA
Phone +1 (678) 717-1050 - sales@cemb-usa.com
www.cemb-usa.com

DISTRIBUTED BY



Tel: (562) 400-3133
email: Brian@AAEquipUSA.com
www.AAEquipUSA.com

Because of continuing technological advancements, specifications, models and options are subject to change without notice.