

# EZ29



## PORTABLE WHEEL BALANCER FOR CARS AND LIGHT TRUCKS

### EZ29 WHEEL BALANCER

operates on standard 110V AC voltage as well as 12V DC. Equipped with casters and a standard lightweight battery pack, it can be used for mobile service or brought to the vehicle.



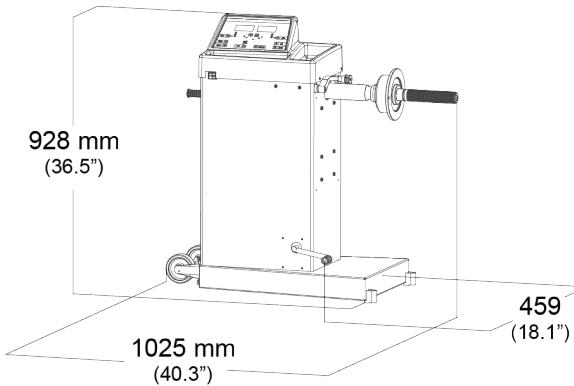
# CEMB<sup>®</sup> USA

# EZ29

- **MULTIFUNCTIONAL DIGITAL PANEL**  
with Direct Weight Placement program and Behind Spoke (Split) mode
- **DUAL VOLTAGE**  
Power supply 12VDC - 110VAC
- **BATTERY PACK**  
lightweight for use when power not available
- **AUTOMATIC ARM 2D**  
to measure automatically distance and diameter
- **WHEELS**  
for easy portability



- Made in ITALY
- **BRAKE PEDAL**  
holds the wheel in position



Power requirements	12 VDC - 110 VAC, 50/60 Hz
Balancing speed	100 rpm
Measuring cycle for 15 kg (33 lbs) wheel	4.7 s
Unbalance resolution	< 0.01 oz (<1 g)
Rim width setting range	1.5" - 20" (40 - 510 mm)
Rim diameter setting range	10" - 30" (265 - 765 mm)
Max. tire diameter	42" (1,067 mm)
Max. wheel weight	165 lbs (75 Kg)
Shaft diameter	40 mm
Machine weight	150 lbs (68 Kg)

12 VDC - 110 VAC, 50/60 Hz
100 rpm
4.7 s
< 0.01 oz (<1 g)
1.5" - 20" (40 - 510 mm)
10" - 30" (265 - 765 mm)
42" (1,067 mm)
165 lbs (75 Kg)
40 mm
150 lbs (68 Kg)

## STANDARD ACCESSORIES

UC20/2 GLM40 41FF83150  MANUAL LOCKING



## OPTIONAL ACCESSORIES

- RL CUP - 41FF79255
- SR-USA STUD ADAPT. - 41FF56189
- SRU345 STUD ADAPT. - 41FFA6478
- 2-PIECE TRUCK CONE KIT - 41FF86174
- 8.5" SUPER CONE - 40FF43748

For a complete list of accessories and more information visit our website [www.cemb-usa.com](http://www.cemb-usa.com)

## CEMB<sup>USA</sup>

CEMB<sup>USA</sup> - BL Systems Inc.  
2873 Ramsey Road, Gainesville GA 30501 - USA  
Phone +1 (678) 717-1050 - sales@cemb-usa.com  
[www.cemb-usa.com](http://www.cemb-usa.com)

DISTRIBUTED BY



Tel: (562) 400-3133  
email: [Brian@AAEquipUSA.com](mailto:Brian@AAEquipUSA.com)  
[www.AAEquipUSA.com](http://www.AAEquipUSA.com)

Because of continuing technological advancements, specifications, models and options are subject to change without notice.