

# K22



## WHEEL BALANCER FOR MOTORCYCLE AND ATV'S

**K22 WHEEL BALANCER**  
has a fixed shaft so that the wheel  
rotates freely on its own bearings.



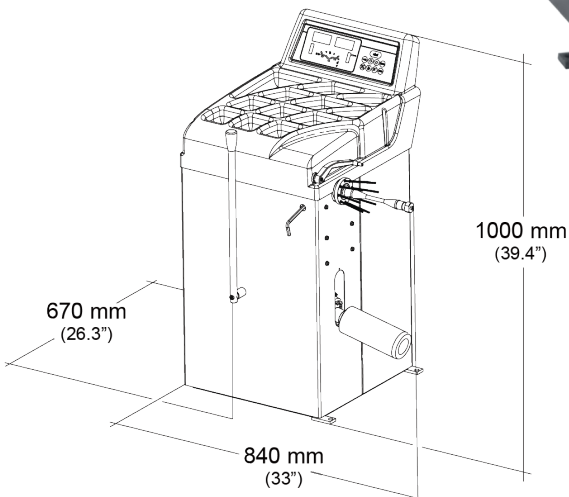
# CEMB<sup>®</sup> USA

# K22

- **AUTOMATIC ARM 2D**  
to measure automatically distance and diameter
- Dynamic (two correction planes) and Static (one correction plane) balancing modes
- Made in ITALY
- **FIXED SHAFT:**  
the wheel runs freely on its own bearings thus reproducing the exact mounting of the wheel on the motorcycle for diagnosing bearing problems



■ **MOTORIZED ROLLER**  
for easy spinning and braking



Power requirements	110 VAC, 50/60 Hz, 1 ph
Balancing speed	80 rpm
Measuring cycle for 15 kg (33 lbs) wheel	4.7 s
Unbalance resolution	< 0.01 oz (<1 g)
Rim width setting range	1.5" - 20" (40 - 510 mm)
Rim diameter setting range	10" - 30" (265 - 765 mm)
Max. tire diameter	28" (711 mm)
Max. wheel weight	66 lbs (30 Kg)
Shaft diameter	15 mm
Machine weight	220 lbs (100 Kg)

## STANDARD ACCESSORIES

AF15 KIT 940013271



MANUAL LOCKING



## OPTIONAL ACCESSORIES

AGF TOOL KIT - 41FF48280

AF19 KIT (HARLEY DAVIDSON) - 41FF86295

HARLEY DAVIDSON SHAFT EXT. - 04C220001

CENTER. BUSHING KIT - 41FF51299

AF12 KIT (HONDA) - 940013270

# CEMB<sup>®</sup> USA

CEMB<sup>®</sup> USA - BL Systems Inc.  
2873 Ramsey Road, Gainesville GA 30501 - USA  
Phone +1 (678) 717-1050 - sales@cemb-usa.com  
www.cemb-usa.com

DISTRIBUTED BY

**ATKINSON**  
AUTOMOTIVE EQUIPMENT

Tel: (562) 400-3133  
email: Brian@AAEquipUSA.com  
www.AAEquipUSA.com